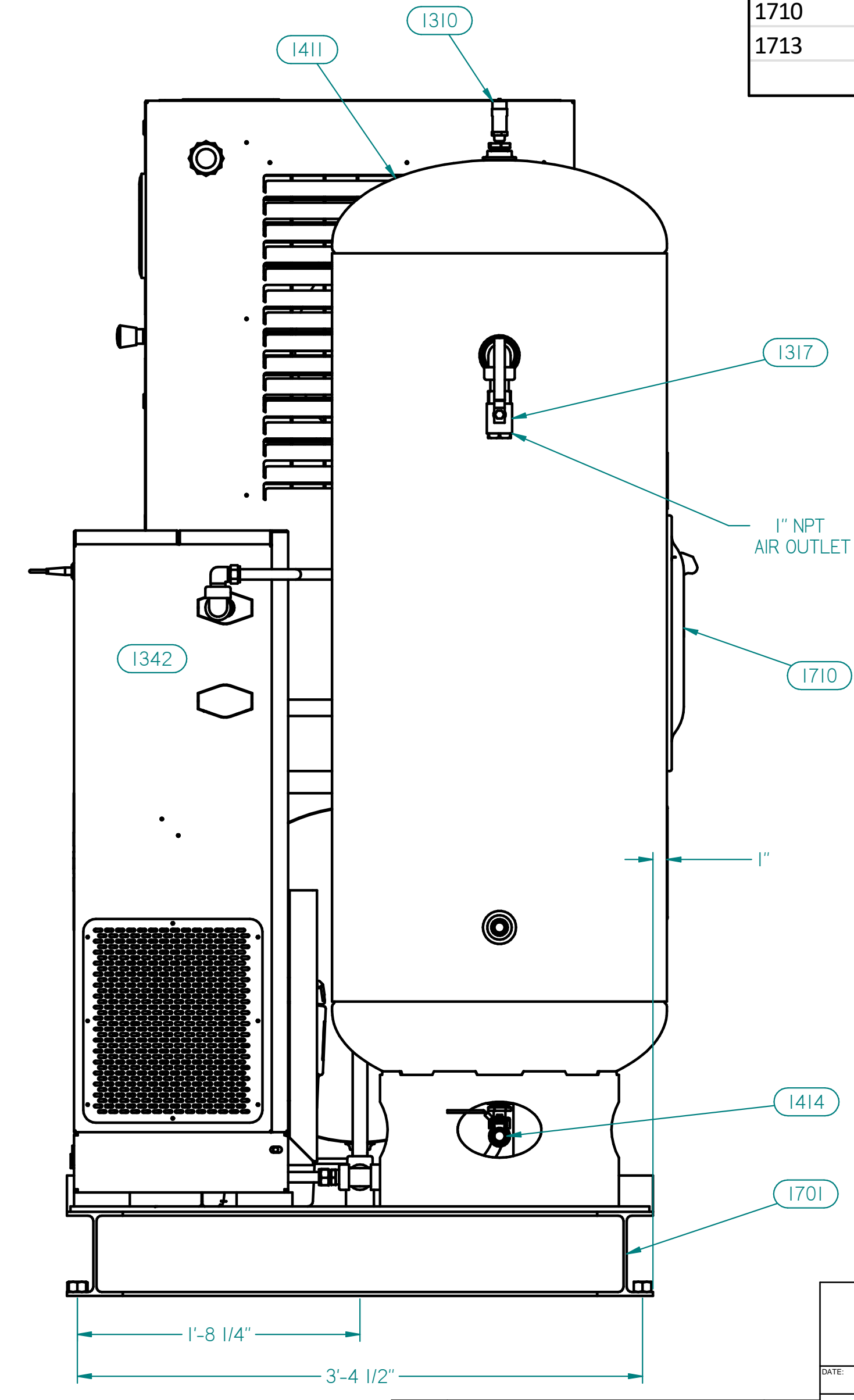
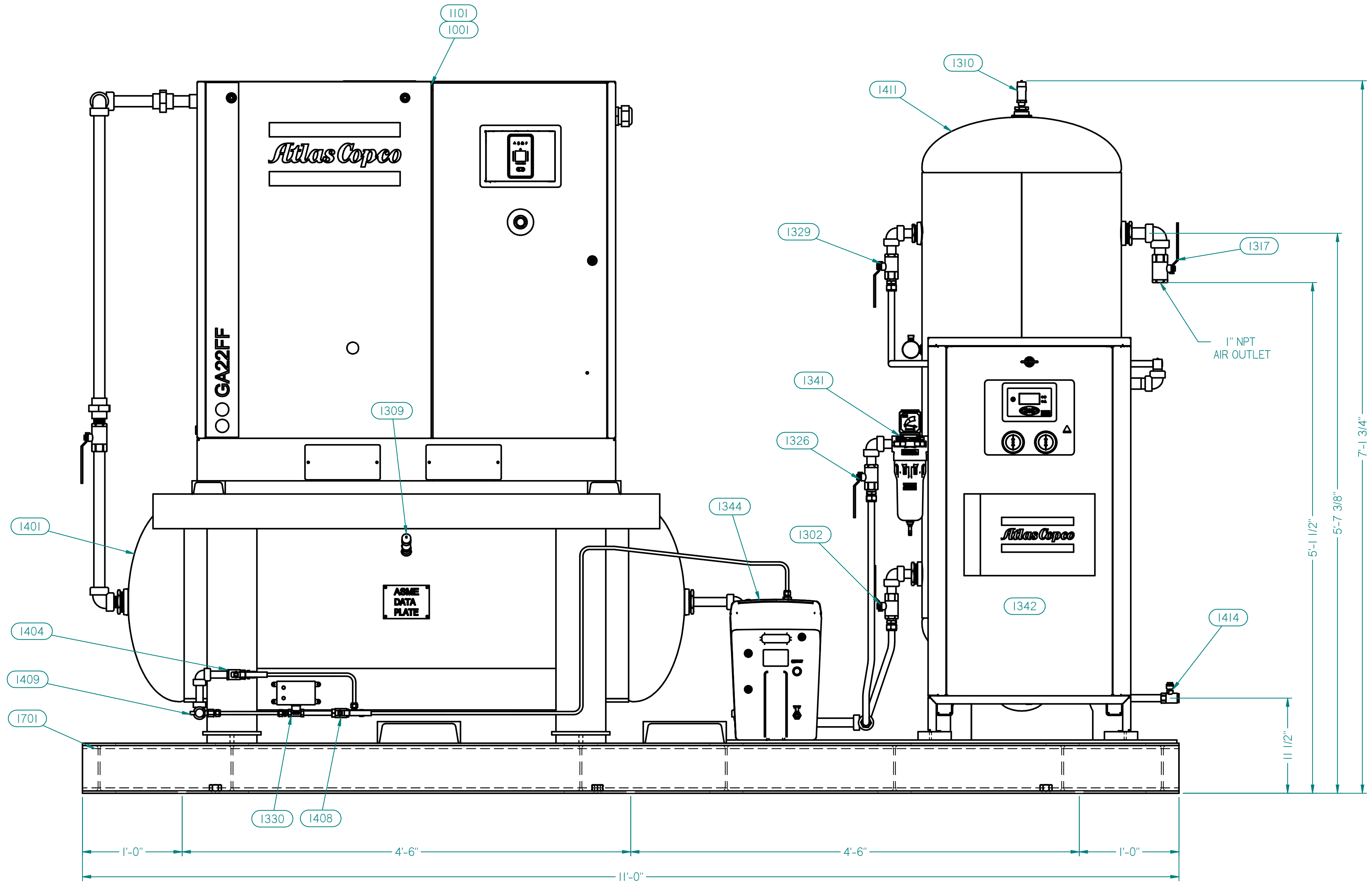



ALL DRAIN LINES FROM ITEM #1401 WET AIR RECEIVER
WILL BE HEAT TRACED & INSULATED.

ITEM #1344 WILL HAVE A REMOVABLE INSULATION JACKET

COMPRESSOR INTERNALS HAVE BEEN HEAT TRACED & INSULATED
FOR COLD WEATHER PROTECTION

TAG ID	DESCRIPTION
1001 A, B	COMPRESSOR
1101 A, B	MOTOR COMPRESSOR
1302	DRYER BYPASS VALVE
1309	WET AIR RECEIVER RELIEF VALVE
1310	DRY AIR RECEIVER RELIEF VALVE
1317	DISCHARGE ISOLATION VALVE
1326	DRYER INLET BYPASS ISOLATION VALVES
1327	PRESSURE GAUGE ISO VALVE
1328	QUICK CONNECT ISO VALVE
1329	DRYER DISCHARGE ISOLATION VALVES
1330	AUTOMATIC CONDENSATE POSI-DRAIN
1341	COALESCING PREFILTER DRYERS
1342	DRYER DESICCANT TOWERS
1344	OIL / WATER SEPERATOR
1401	WET AIR RECEIVER
1404	ISO VALVE AUTO CONDENSATE VALVE
1408	AUTO DRAIN ISOLATION VALVES
1409	AUTO DRAIN ISOLATION VALVE WYE
1411	DRY AIR RECEIVER
1414	MANUAL CONDENSATE DRAIN VALVE
1415	UTILITY AIR QUICK DISSCONNECT
1530	PRESSURE GAUGE 0-200 PSI
1701	SKID ASSEMBLY
1710	POWER DISCONNECT FUSED 480/3/50
1713	120 V POWER DISTRIBUTION BOX





Tulsa, Ok.
Atlanta, Ga.

P.O. Box 471453
Tulsa, Oklahoma 74147

DATE	SCALE	DRAWN BY	APPROV	REVISION

INSTRUMENT AIR SIMPLEX GENERAL ARRANGEMENT
ATLAS COPCO GA-15_26-150
TANK MOUNT WITH ATLAS COPCO DRYER

CUSTOMER	DRAWING NUMBER
	IAS-GA15_26-150 GA