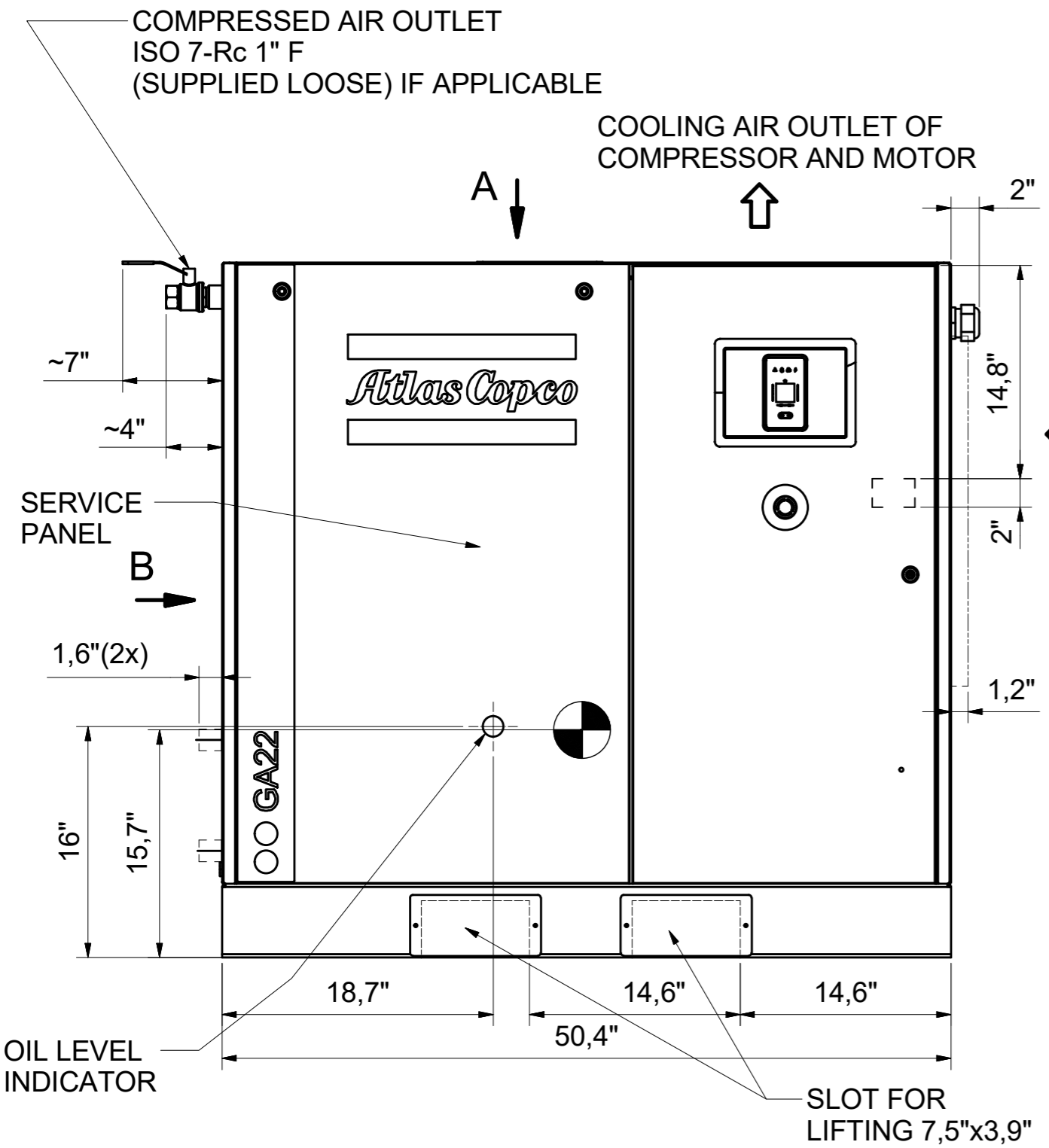
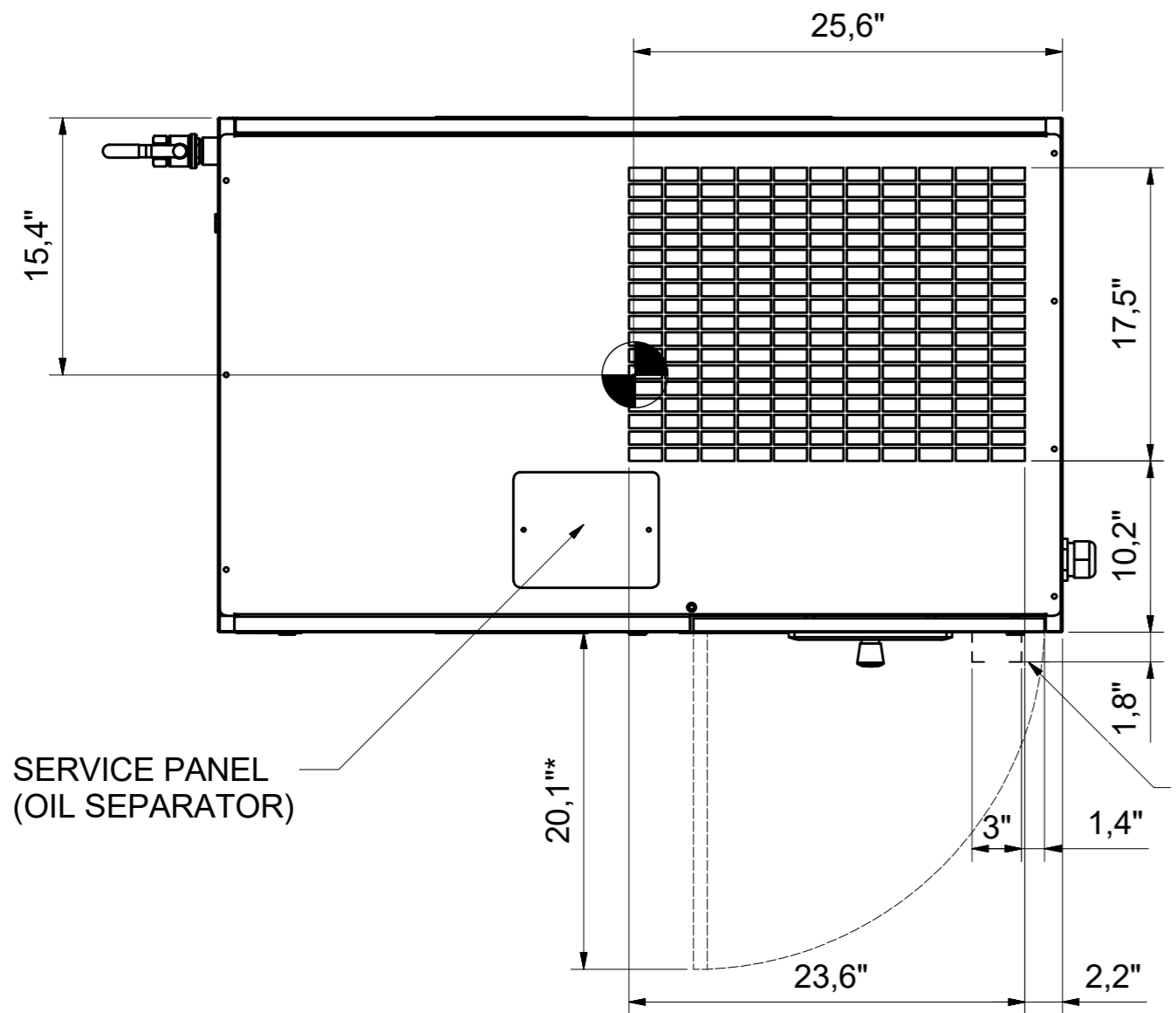


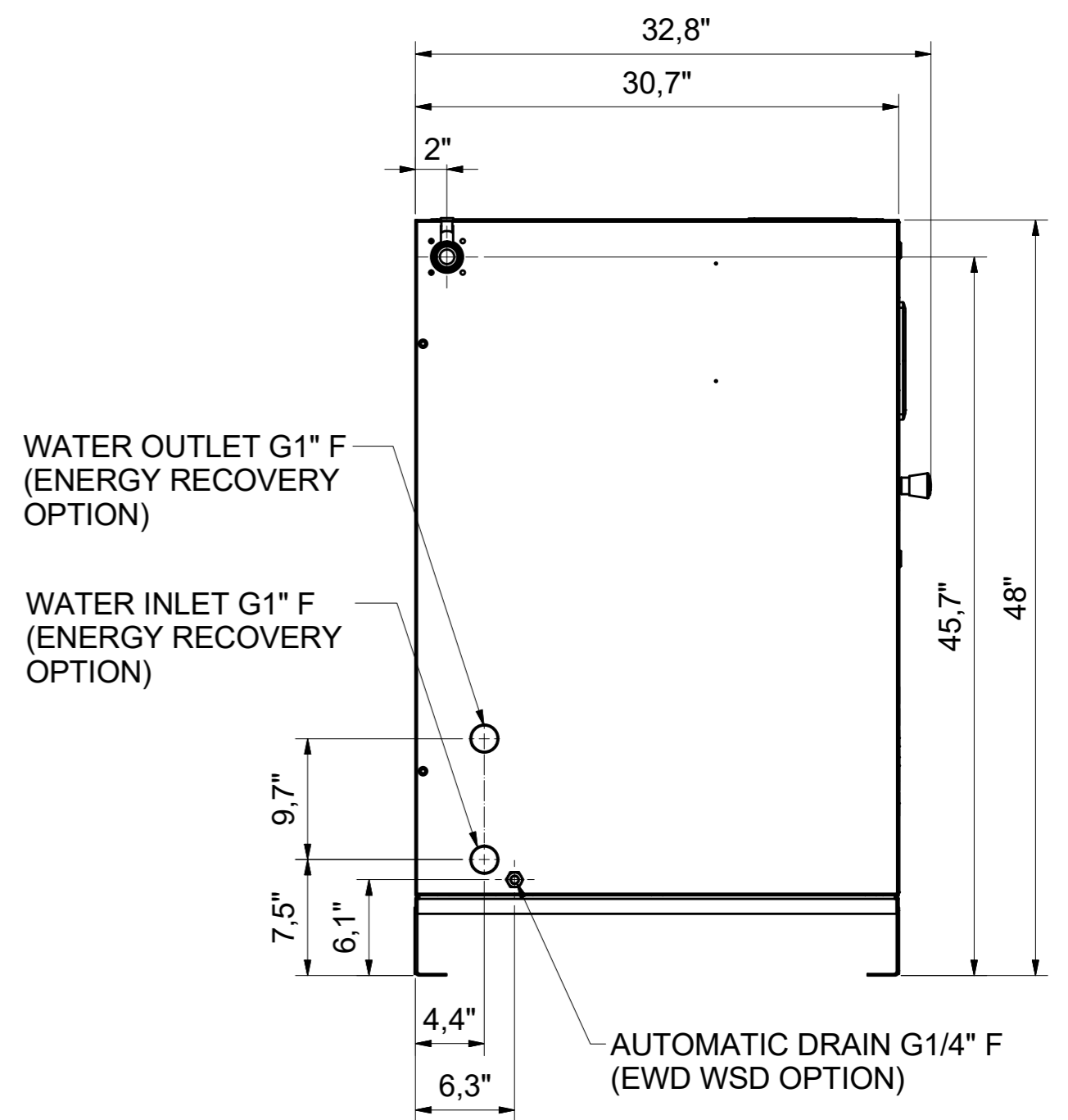
All materials supplied are in compliance with the requirements of the List of Prohibited Substances



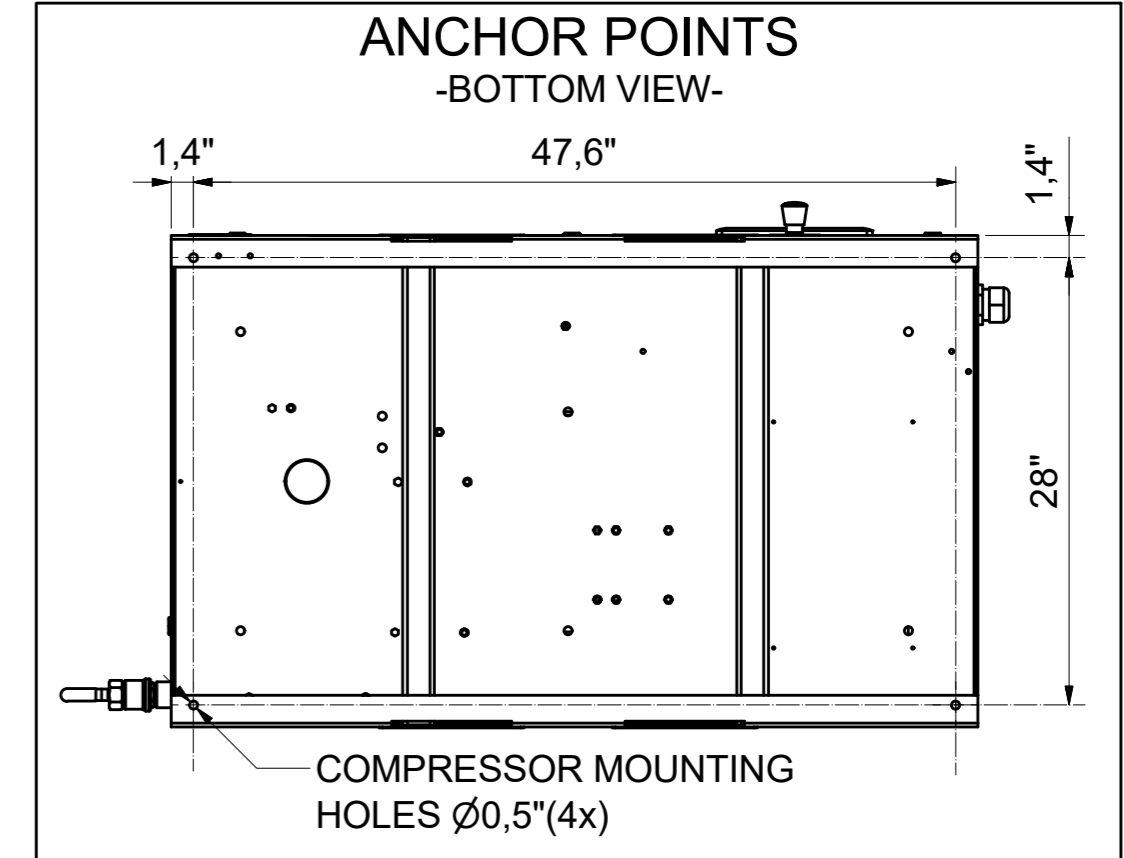
VIEW A




VIEW B



ANCHOR POINTS
-BOTTOM VIEW-



Approx weight ± 110 (lbs)	
GA 15	1003
GA 18	1022
GA 22	1058
GA 26	1080

NOTE:
 - CENTER OF GRAVITY
 * - DOOR FULLY OPEN

Tolerances, if not indicated, according to:		ATLAS COPCO STANDARD CLASS	
Name	DIMENS. DRWG	GA15-26 PACK FM (2019)	
Material	Not Applicable	Confidentiality Class acc. to 1102 K	Confidential
Treatment	Not Applicable	INV	
Scale	1:10	Family	GA15-26
Drawn by	INEansa	Blank nr.	
Drawing format	Blank wt	Kg	Fini wt.
A2		N/A	Designation
Des checked.	Prod checked.	Approved.	Date
			18/01/2019

00	RELEASED			
Ed	Position	Modified from	Date	Intr./Appd.

9828083614	
Parent 3D model	Ed. Version 3D

Approved

Sheet 1 / 1

9828083614

CONFIDENTIAL: This document is property of Atlas Copco AB and shall not without our permission be altered, copied, used for manufacturing or communicated to any other person or company.